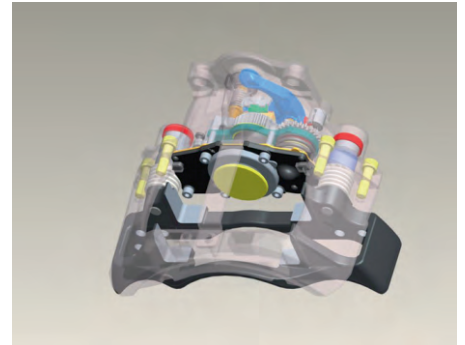
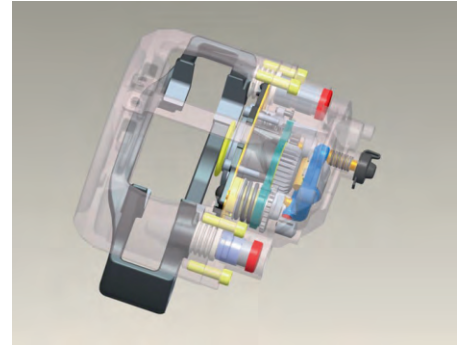
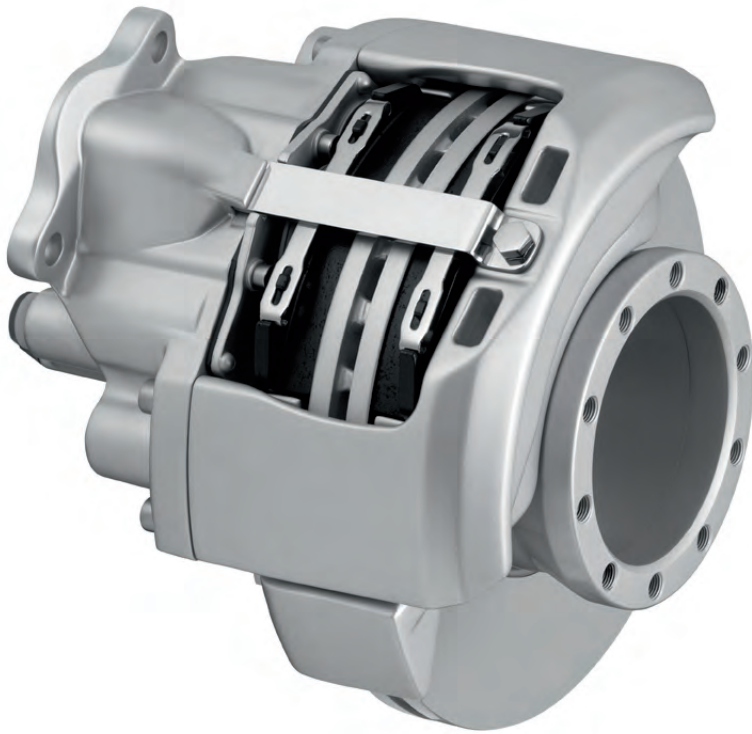


# ELSA 175 S

## Air Disc Brake



The ELSA175S completes the ELSA family of air disc brakes. Both 17.5" and light duty 19.5" brake applications are satisfied by this new design.

As part of the ELSA range of air disc brakes the ELSA175S brings key class-leading features

- Over one million ELSA family brakes sold.
- Proven in-service performance and reliability.
- Double sealing as standard.
- Optimised single piston light weight design.
- Modular construction for flexibility of installation and ease of service.

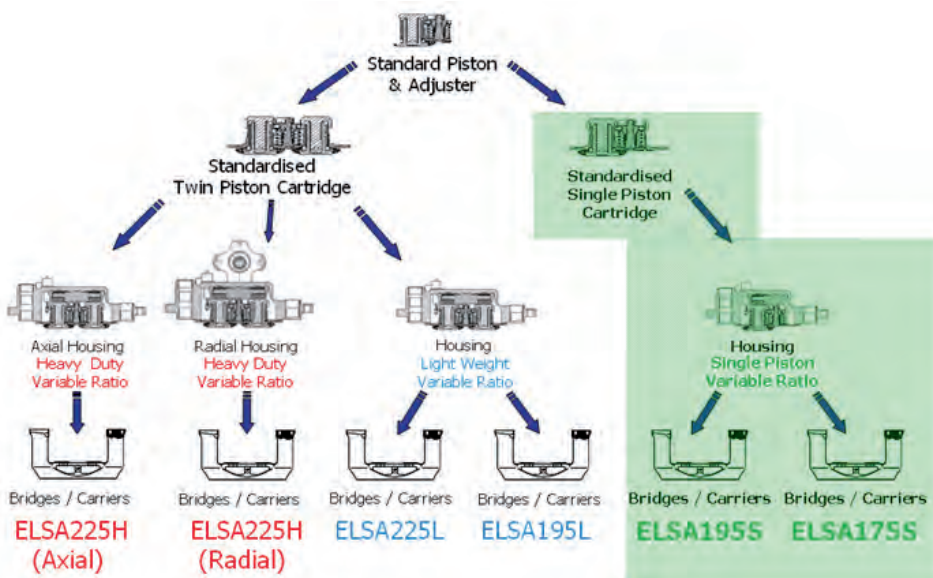


# MERITOR®

an **ArvinMeritor** brand

The ELSA175S completes ArvinMeritor's family of air disk brakes. Covering 22.5" to 17.5" wheel sizes.

Single piston design provides low weight and competitive cost.

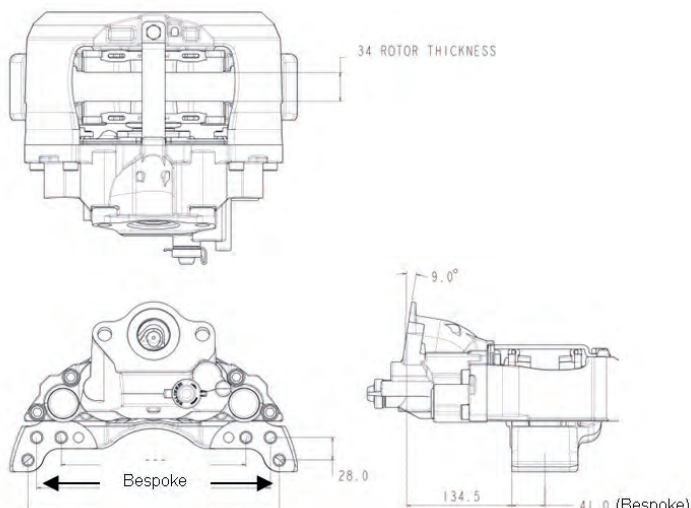


Visual pad wear indicator as standard. Electronic pad wear warning indicators are available in the following options:

- Broken wire (PWWI).
- Continuous wear sensor (CWS).

<b>Minimal wheel size</b>	17.5"
<b>Design Rated Torque</b>	12.5 kNm
<b>Rotor OD</b>	330 mm
<b>Rotor Thickness</b>	34 mm
<b>Pad area</b>	120 cm <sup>2</sup>
<b>Weight</b>	23.0 kg

The use of "variable geometry" optimises performance to lower air consumption and reduce running costs.



**ArvinMeritor HVBS**  
Grange Road  
Cwmbran · NP44 3XU  
South Wales · United Kingdom

Phone: +44(0) 16 33 - 83 40 40  
www.arvinmeritor.com

Descriptions and specifications were in effect at the time of publication and are subject to change without notice or liability.

© Copyright 2008 ArvinMeritor. All rights reserved.  
Issued 09/2008 Publication 4.107.6 e

**ArvinMeritor**™