

ELSA Family Adaptor Box

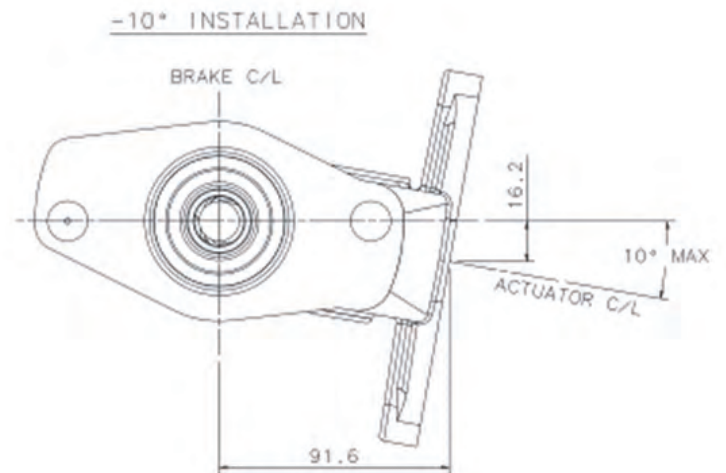
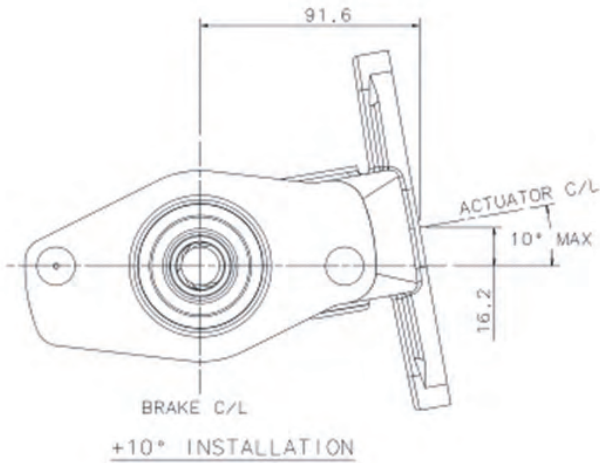


Building on the experience gained from supplying over 2 million brake assemblies per year, ArvinMeritor now provides the ELSA Family Adaptor Box. Aimed at further expanding the application potential of the successful ELSA family of air disc brakes, the EFAB has been designed to meet the same exacting standards for durability and sealing. The EFAB offers vehicle manufacturers the ability to position the air actuator in a variety of positions aiding installation and maximising useable space.

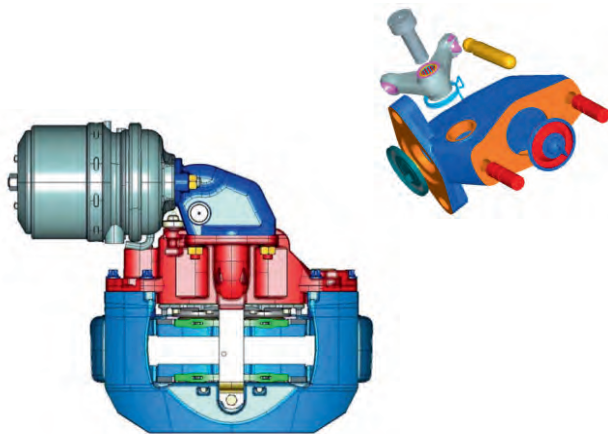
Increased useable space translates to the bodybuilder as

- Increased cargo space
- Increased payload
- Flexible suspension layout options
- Improved passenger access
- Additional seating

Example Installations



The EFAB is designed to fit with all sizes of the ELSA family of Air Disc Brakes and suits standard 65mm stroke diamond and rosette pattern air chambers



Max. input load	18kN (overload)
Stroke	68mn
Efficiency	97%
Mechanical Ratio	1 +/- 5%
Maximal Air Chambers	T27 Service T30 Spring Brake

ArvinMeritor HVBS
Grange Road
Cwmbran · NP44 3XU
South Wales · United Kingdom

Phone: +44(0) 16 33 - 83 40 40
www.arvinmeritor.com

Descriptions and specifications were in effect at the time of publication and are subject to change without notice or liability.

© Copyright 2008 ArvinMeritor. All rights reserved.
Issued 09/2008 Publication 4.108.8 e

ArvinMeritorTM